

## Building Signage

| Sign                | # | Type        | Color        | Height | Illumination    | Sq. Ft. | Total Sq.Ft. |
|---------------------|---|-------------|--------------|--------|-----------------|---------|--------------|
| Walmart Main Sign   | 1 | Business    | White/Yellow | 8'-0"  | Internally Lit. | 298.00  | 298.00       |
| Home & Pharmacy     | 1 | Directional | White        | 3'-6"  | Non Lit.        | 97.66   | 97.66        |
| Market              | 1 | Directional | White        | 2'-9"  | Non Lit.        | 28.17   | 28.17        |
| Outdoor Living      | 1 | Directional | White        | 3'-5"  | Non Lit.        | 77.17   | 77.17        |
| Pharmacy Drive-Thru | 2 | Directional | White        | 2'-10" | Non Lit.        | 74.66   | 149.32       |
| Pharmacy Drive-Thru | 1 | Directional | White        | 8'-0"  | Non Lit.        | 39.90   | 39.90        |

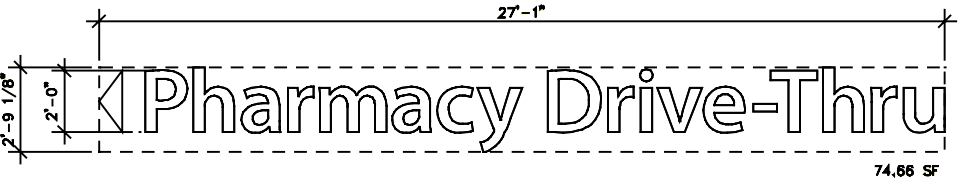
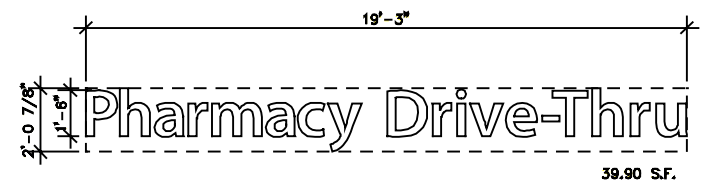
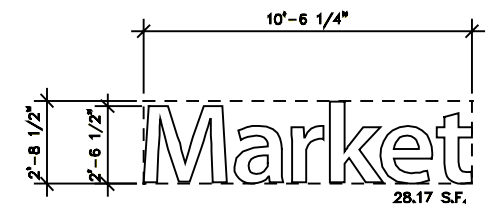
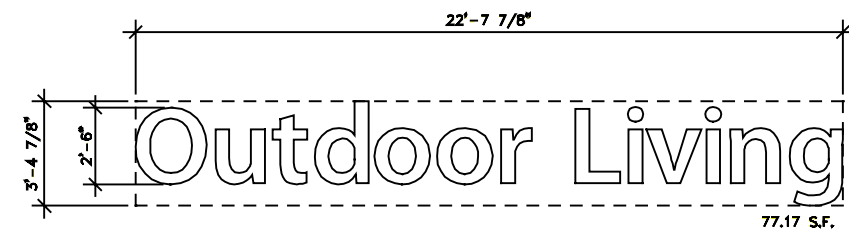
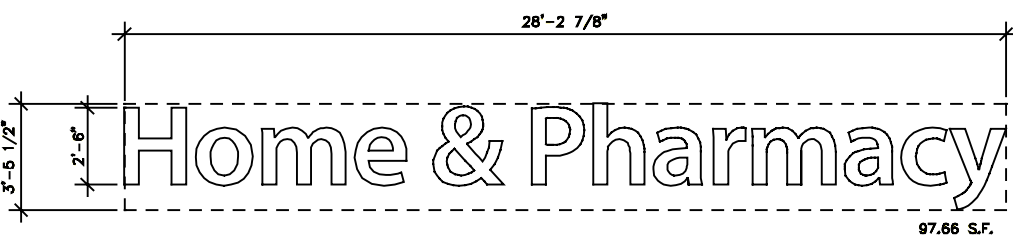
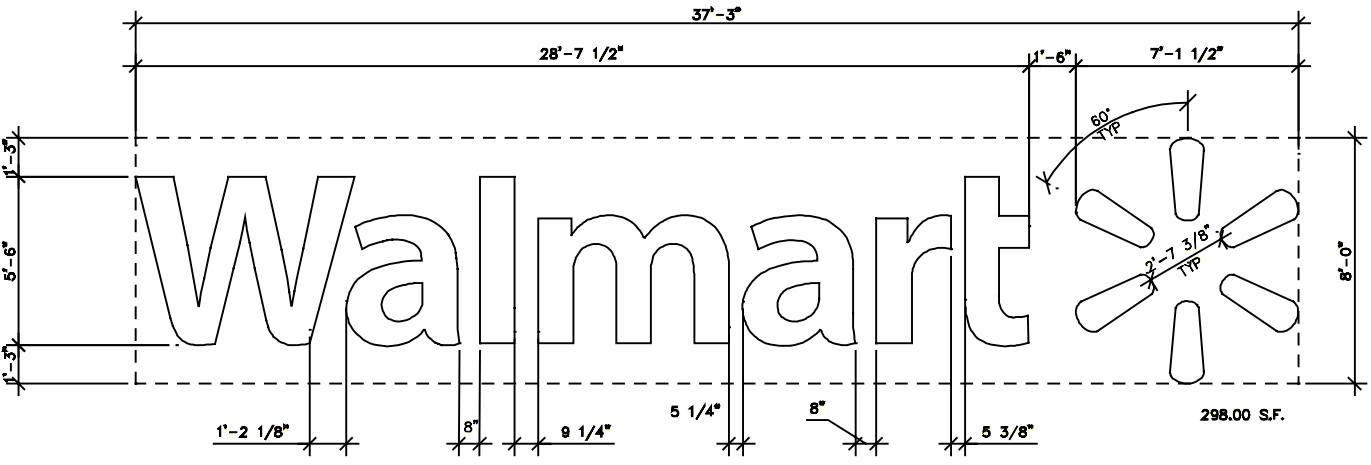
\* Business & Signage Total Sq. Ft. (Excludes Monument Signage) 690.22

## Site Signage



## Site Signage

| Sign                         | # | Type        | Color             | # of Panels | Illumination | Sq. Ft. | Total Sq.Ft. |
|------------------------------|---|-------------|-------------------|-------------|--------------|---------|--------------|
| Walmart Monument Sign        | 1 | Directional | Blue/White/Yellow | 2 Sided     | Internal     | 95.00   | 95.00        |
| * Site Signage Total Sq. Ft. |   |             |                   |             |              |         | 95.00        |



NOTE: SQUARE FOOTAGE NOT INCLUDED IN BUILDING SIGNAGE SCHEDULE

ADDRESS SIGNAGE