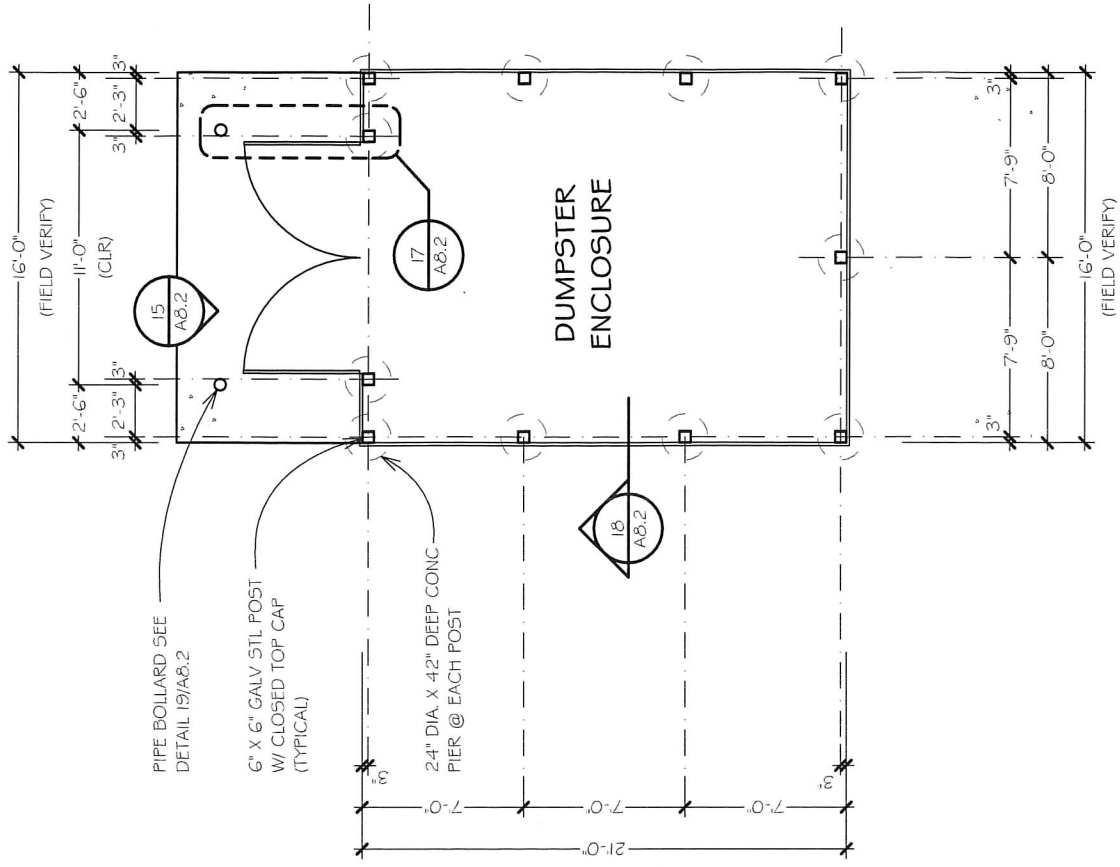


PIPE BOLLARD DETAIL

SCALE: 1" = 1'-0"

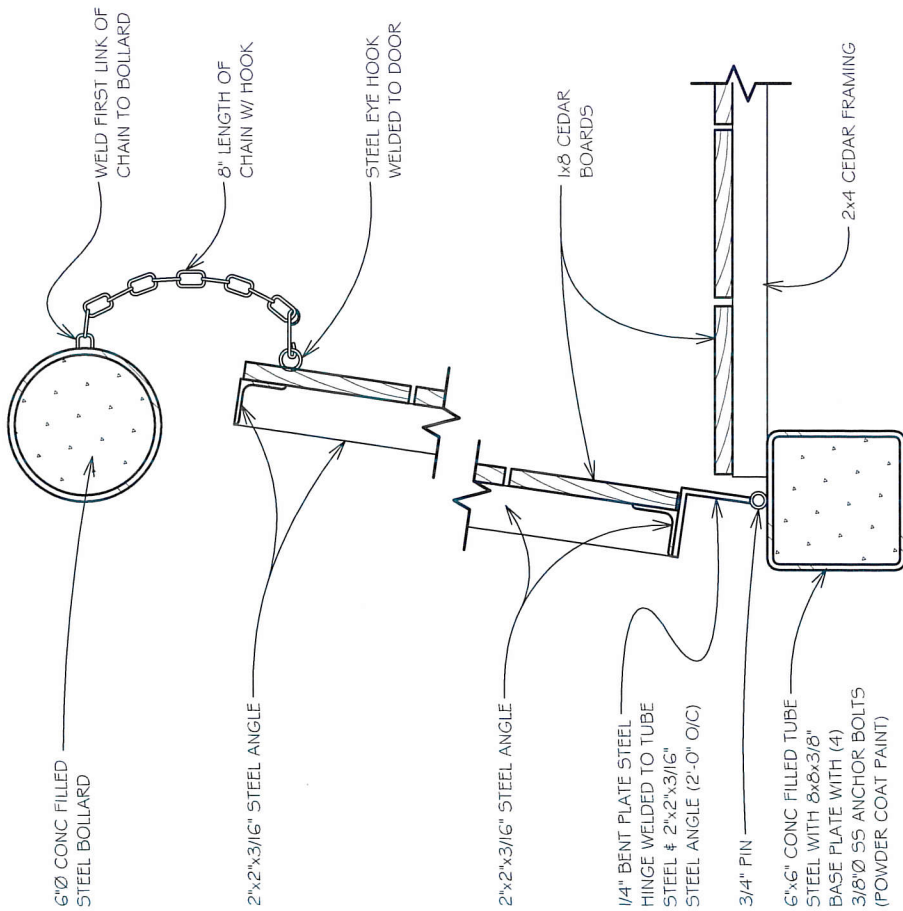
19



DUMPSTER ENCLOSURE

SCALE: 1/8" = 1'-0"

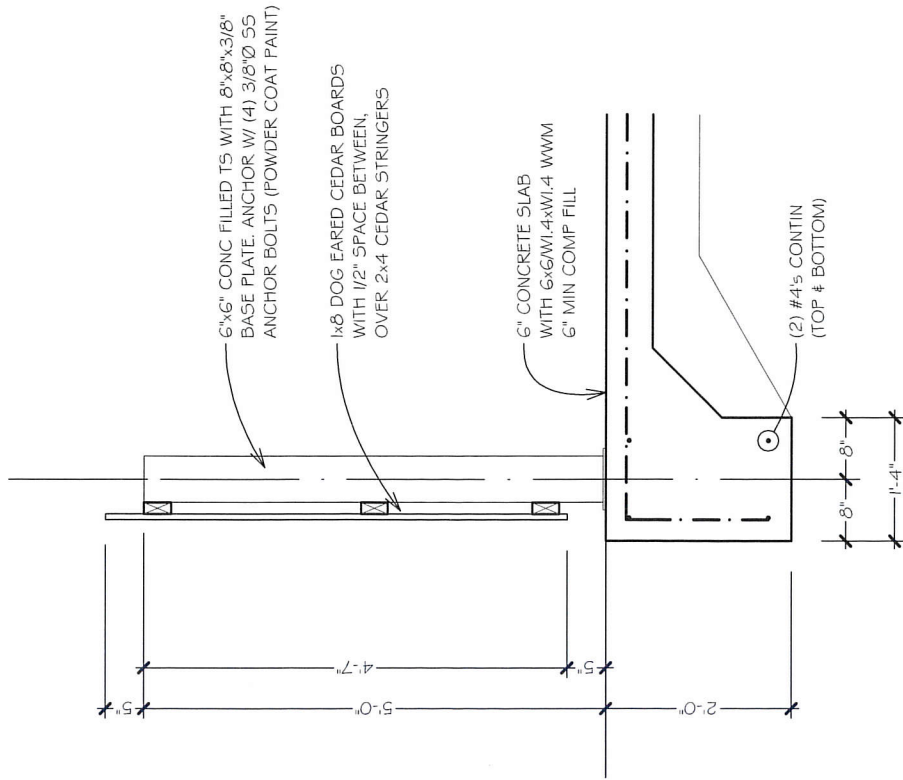
20



GATE DETAIL

17

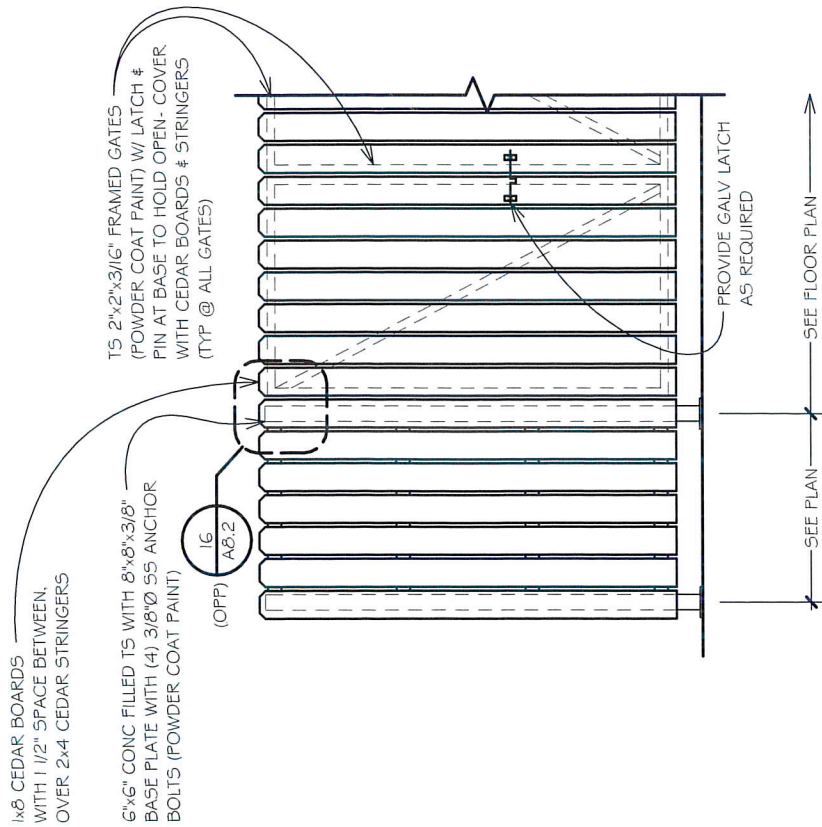
SCALE: 1 1/2" = 1'-0"



SLAB DETAIL

18

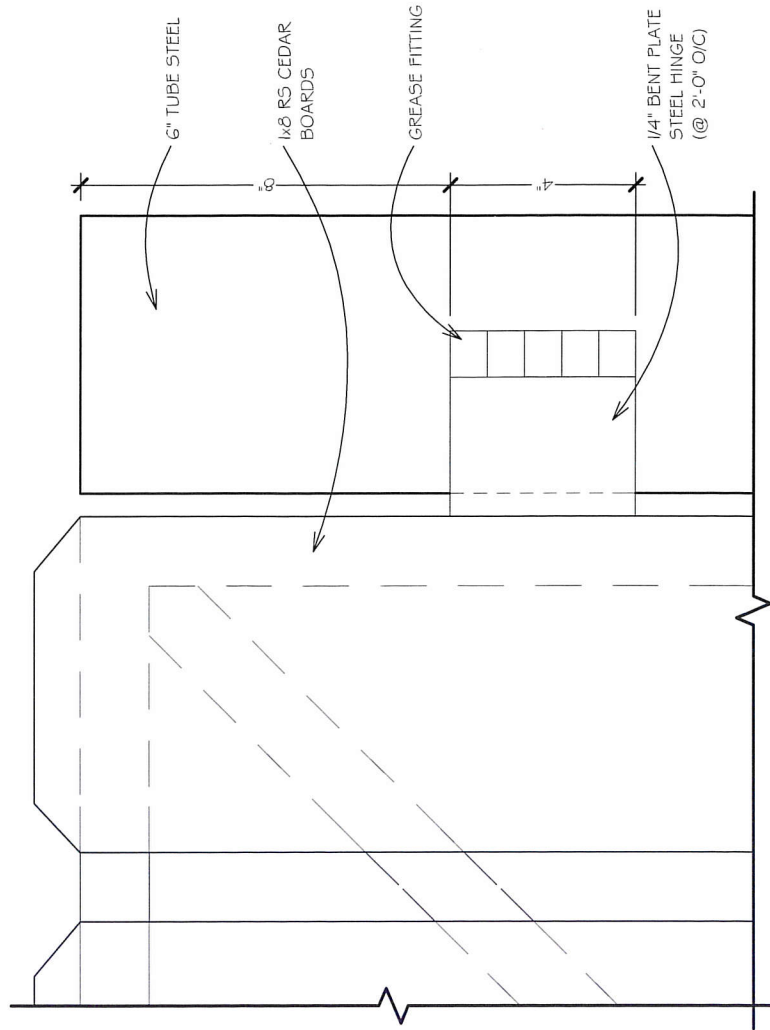
SCALE: 1/2" = 1'-0"



FENCE DETAIL

15

SCALE: 1" = 1'-0"



HINGE DETAIL

16

NOT TO SCALE